

ALLOCATION OF INJECTION COMPUTER INPUTS AND OUTPUTS

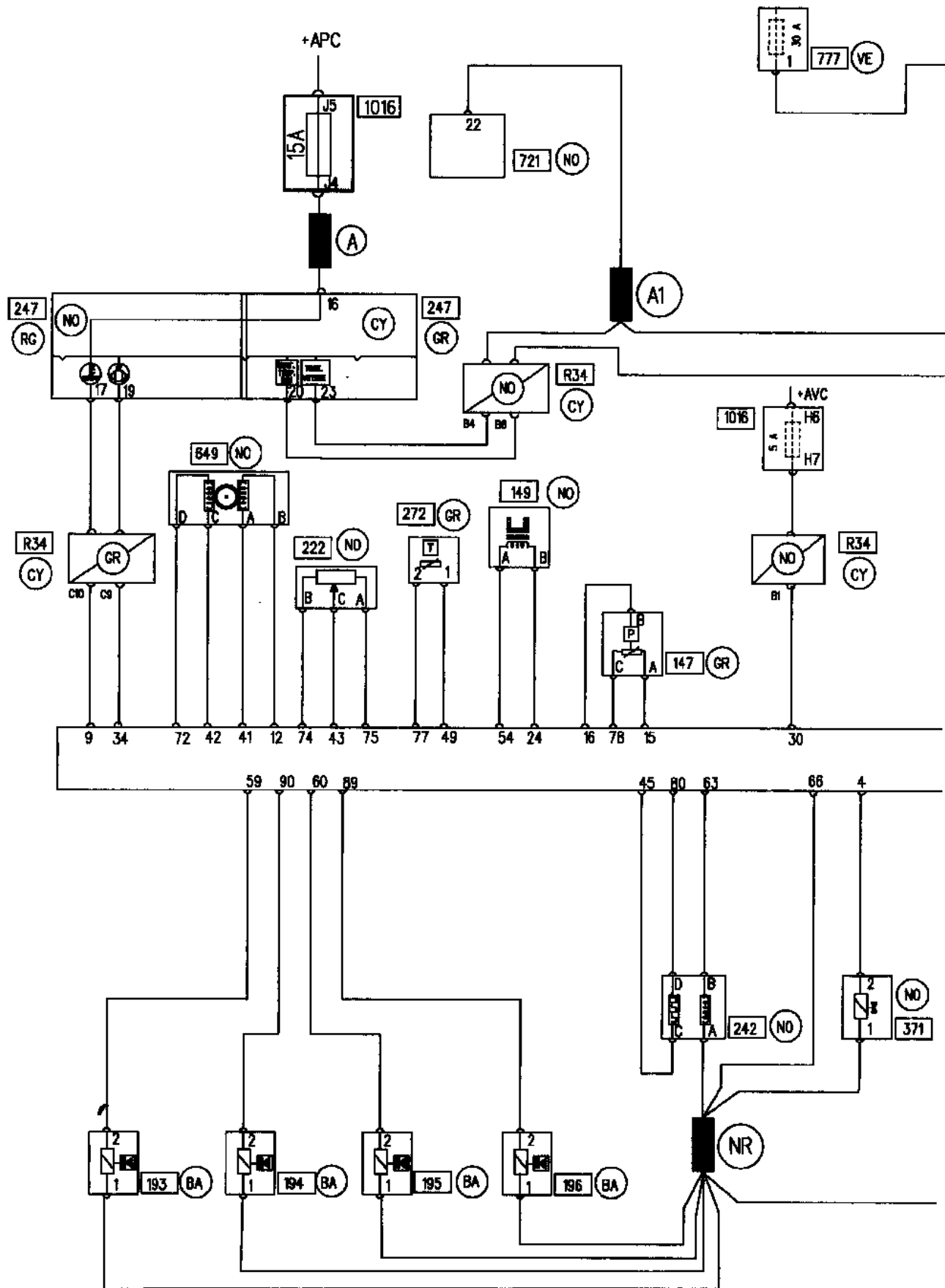
61	31	1
62	32	2
63	33	3
64	34	4
65	35	5
66	36	6
67	37	7
68	38	8
69	39	9
70	40	10
71	41	11
72	42	12
73	43	13
74	44	14
75	45	15

76	46	16
77	47	17
78	48	18
79	49	19
80	50	20
81	51	21
82	52	22
83	53	23
84	54	24
85	55	25
86	56	26
87	57	27
88	58	28
89	59	29
90	60	30

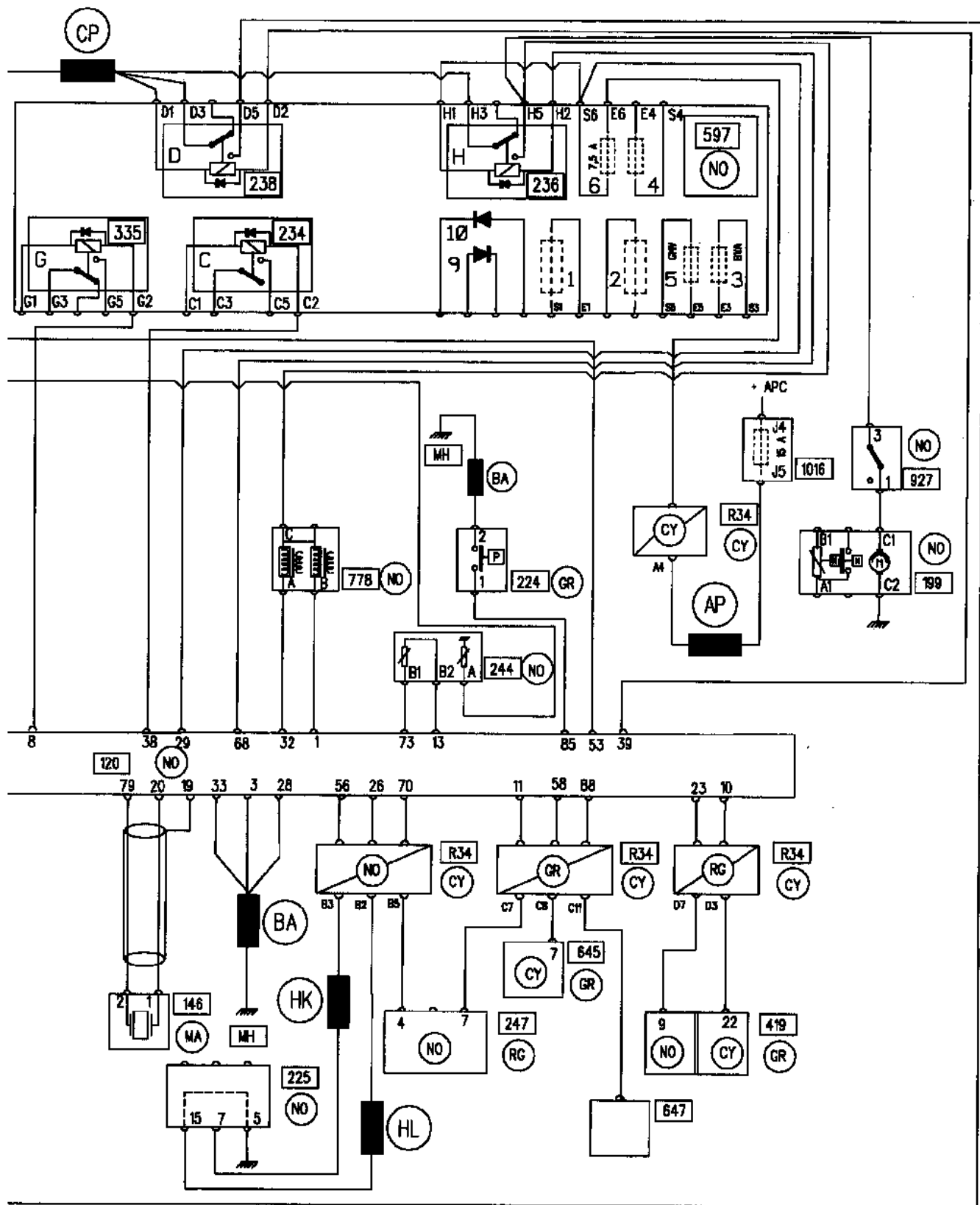
1	→	IGNITION COIL 2-3 CONTROL
32	→	IGNITION COIL 1-4 CONTROL
3	---	POWER EARTH
33	---	POWER EARTH
4	→	CANISTER PURGE CONTROL
8	→	FAN ASSEMBLY RELAY 1 CONTROL BY CCTM
38	→	FAN ASSEMBLY RELAY 2 CONTROL BY CCTM
9	→	COOLANT TEMPERATURE WARNING LIGHT
39	→	ACTUATOR RELAY CONTROL
10	→	AC COMPRESSOR CONTROL
41	→	IDLE SPEED REGULATOR CONTROL (TRACK A)
12	→	IDLE SPEED REGULATOR CONTROL (TRACK B)
42	→	IDLE SPEED REGULATOR CONTROL (TRACK C)
13	←	COOLANT TEMPERATURE SENSOR INPUT
43	←	THROTTLE POTENTIOMETER SIGNAL
15	---	PRESSURE SENSOR EARTH
45	←	OXYGEN SENSOR SIGNAL INPUT
63	→	OXYGEN SENSOR HEATER CONTROL
64	→	CAMSHAFT OFFSETTING DEVICE CONTROL
65	→	GEAR CHANGE INDICATOR LIGHT CONTROL
66	---	+AFTER IGNITION
68	→	FUEL PUMP RELAY CONTROL
70	→	TDC ENGINE SPEED INFORMATION
72	→	IDLE SPEED REGULATOR CONTROL (TRACK D)
73	---	COOLANT TEMPERATURE SENSOR EARTH
74	---	THROTTLE POTENTIOMETER SUPPLY
75	---	THROTTLE POTENTIOMETER EARTH
16	←	MANIFOLD PRESSURE SENSOR SIGNAL INPUT
19	---	KNOCK SENSOR SHIELDING
49	←	AIR TEMPERATURE SENSOR INPUT
20	←	KNOCK SENSOR SIGNAL INPUT
23	←	AC COMPRESSOR POWER ABSORBED INFORMATION
53	←	VEHICLE SPEED INPUT
24	←	ENGINE SPEED SENSOR SIGNAL INPUT
54	←	ENGINE SPEED SENSOR SIGNAL INPUT
26	---	DIAGNOSTIC
56	---	DIAGNOSTIC
28	---	POWER EARTH
58	←	ENGINE IMMOBILISER SYSTEM
29	---	+AFTER IGNITION
59	→	INJECTOR 1 CONTROL
30	---	+BEFORE IGNITION
60	→	INJECTOR 3 CONTROL
77	---	AIR TEMPERATURE SENSOR EARTH
78	---	PRESSURE SENSOR SUPPLY
79	---	KNOCK SENSOR EARTH
80	---	OXYGEN SENSOR EARTH
85	→	POWER STEERING PRESSURE SWITCH INFORMATION
89	→	INJECTOR 4 CONTROL
90	→	INJECTOR 2 CONTROL

PRO15097

INJECTION Wiring diagram



INJECTION Wiring diagram



PARTS LIST

120	Injection computer
146	Knock sensor
147	Air temperature sensor
149	Top Dead Centre sensor
193, 194, 195, 196	Injectors
199	Fuel gauge
222	Throttle potentiometer
224	Power steering pressure switch
225	Diagnostic socket
234	High speed fan assembly relay
236	Fuel pump relay
238	Engine immobiliser relay
242	Oxygen sensor
244	Coolant temperature sensor
247	Instrument panel
272	Air temperature sensor
335	Fan assembly low speed relay
371	Canister solenoid valve
419	AC management unit
597	Engine fuse and relay box
645	Passenger compartment ECU transponder
647	Electric windscreen
649	Stepper motor
721	ABS ECU transponder block
777	Power fuse board
778	Ignition coil
927	Impact switch
1016	Passenger compartment fuse box